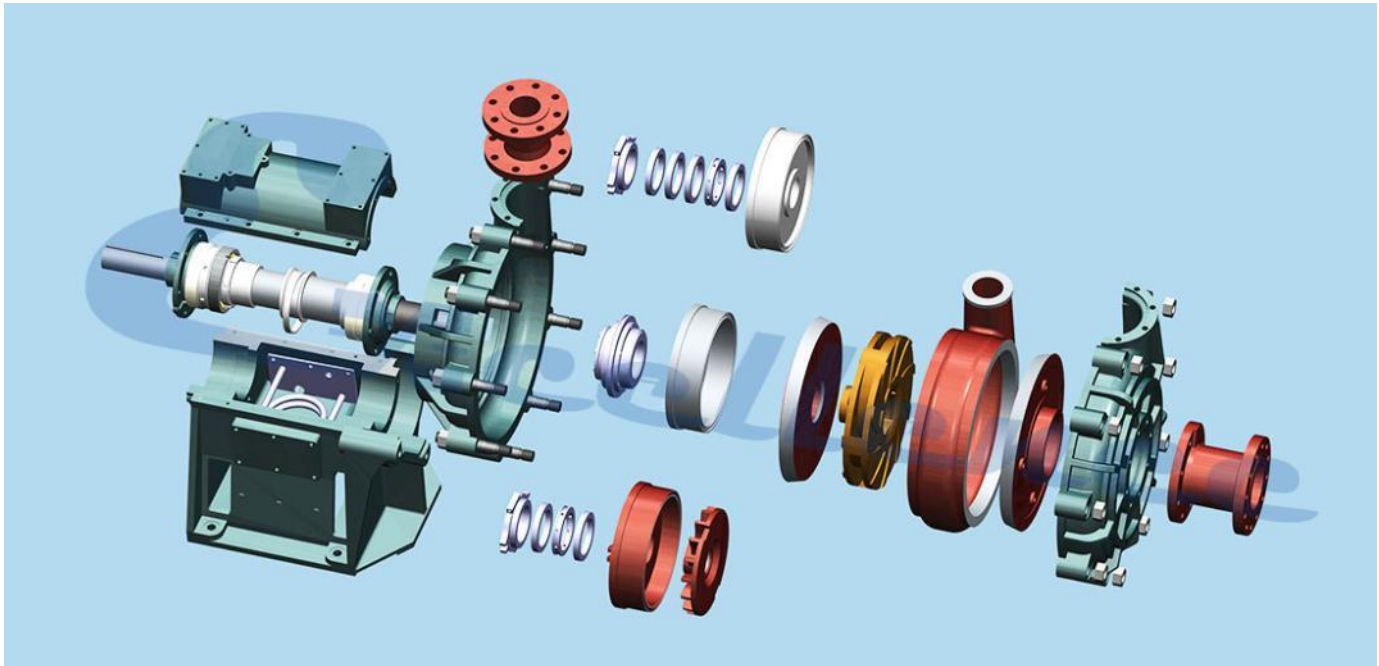




According to feedbacks from users at home and abroad, EZG series slurry pumps are a brand-new generation designed to meet the demands of diversified working conditions. Characterized with high efficiency, large capacity and high head, EZG series slurry pumps are becoming increasingly popular among clients.

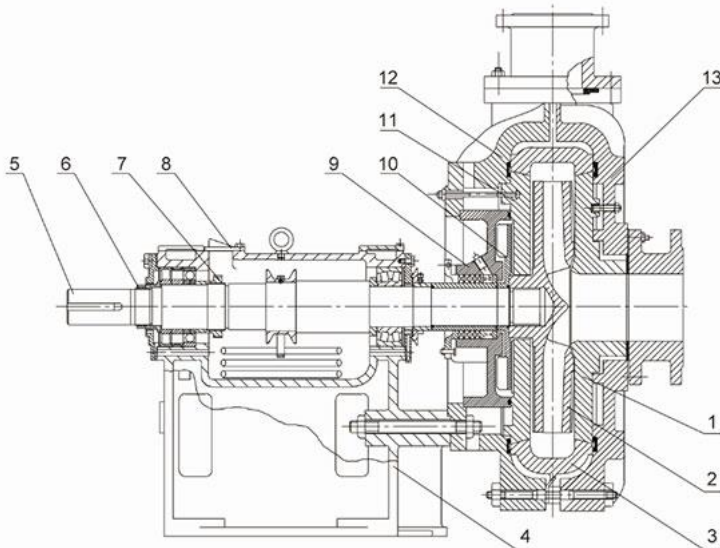


- CAM modern design with optimal hydraulic performance and reliability design ensure long MTBF (mean time between events).
- Outer casing is made of grey cast iron or ductile cast iron. It can be operated in series with maximum permissible work pressure is 3.6Mpa.
- The wet parts adopt interchangeable anti-abrasive and anti-corrosive alloy material.
- The metric bearing is lubricated by oil: scientific lubricating and cooling system ensure that the bearing operates under low temperature.
- Less power consumption is realized by DC (Direct connection) design. The capacity and head of the pump can be adjusted by altering the outer diameter of impeller.
- Broad passage, good anti-clogging performance, excellent performance of NPSH.



## ❖ Structure

### Series EZG Structural Drawing



- |                       |                              |
|-----------------------|------------------------------|
| 1. Throatbush         | 8. Adjusting hole cover      |
| 2. Impeller           | 9. Expeller ring             |
| 3. Volute liner       | 10. Expeller                 |
| 4. Frame              | 11. Frame plate liner insert |
| 5. Shaft              | 12. Frame plate              |
| 6. Adjusting screw II | 13. Cover plate              |
| 7. Adjusting screw I  |                              |

Note: this is the basic drawing of structure. There would be some differences up to varied discharge size.



## Material

Outer casing is made by grey cast iron or ductile cast iron according to different working conditions.

The wet parts material for standard EZG series pump is high-chrome alloy. This kind of material is wear resistant and has excellent performance under erosive conditions.

- KmTBCr27: hard carbides within its microstructure provides strong wear resistance
- KmTBCr28: its hardness is 430 in Brinell and suitable for corrosive applications where pH is below 4.
- KmTBCr35: its hardness is 450 in Brinell and has much improved corrosion resistance.

## Shaft Seal

There are three standard shaft seal methods:

- Packing seal: it is the lowest in cost.
- Expeller seal with packing seal: it is most commonly used.
- Mechanical seal: it has best seal effect, but high in cost and has strict requirement of flush water.

## Bearing Assembly

Scientific design with better cooling and lubricating performance than traditional grease lubrication

- Lubricated by oil;
- Easy maintenance;
- Prolong rotor service life.

Model	Allowable Max.Power P(Kw)	Clear Water Performance					Impeller	WT.
		Capacity Q l/s	Head H(m)	Speed n(r/min)	Top Efficiency η%	NPSH(m)	Impeller Diameter D(mm)	(Kg)
EZG65	28.8-19.9	31.7-15.8	58-61	1480	47.4-62.5	4.5-3	390	1850
	8.37-5.8	21-10.5	25.4-26.7	980		2-1.3		
EZG80	73.7-52.2	56.7-28.3	87.5-91.6	980	66.1-48.7	5.2-2.7	485	2500
	21.4-15.2	37.5-18.8	38.4-40.2	740		2.3-1.2		
	56.8-40.4	52-26	73.7-77.1	980		4.4-2.3	445	
	16.5-11.7	34.4-17.2	32.3-33.8	740		1.9-1		
	41.3-29.2	46.8-23.3	59.5-62.3	980		3.5-1.8	400	
	12-8.4	31-15.4	26.1-27.3	740		1.5-0.8		
EZG100	124.9-91.4	116.7-58.3	85.1-91.8	1480	77.9-57.4	6-2.6	500	3000
	36.3-26.6	77.3-38.6	37.3-40.3	980		2.7-1.2		
	91-66.7	105-52.5	68.9-78.4	1480		4.9-2.1	450	
	26.4-19.4	69.5-34.8	30.2-32.6	980		2.1-1.1		
	64-46.9	93.4-46.7	54.5-58.8	1480		3.8-1.7	400	
	18.6-13.6	61.8-30.9	23.9-25.8	980		1.7-0.8		
EZG150	215-165.5	200-100	85.2-90	980	77.7-53.3	3.8-2.7	740	3450
	92.7-71.3	151.2-75.6	48.6-51.3	740		2.2-1.5		
	168-129.3	182.4-91.2	73-77.1	980		3.3-2.3	685	
	74.2-56.8	140-70.2	41.6-44	740		1.9-1.3		
	131.9-101.5	169.2-84.6	61.8-65.2	980		2.8-1.1	630	
	57.6-44.3	129.6-64.8	35.2-37.2	740		1.6-0.6		
EZG200	342.9-219.1	300-150	89-94.2	980	76.3-63.2	6.7-2.7	740	4000
	147.5-97.3	226.5-113.3	50.7-53.7	740		3.8-1.5		
	290.2-185.8	283.8-141.9	79.6-84.3	980		6-2.4	700	
	125-80	214.3-107.1	45.4-48.1	740		3.4-1.4		
	222-141.8	259.5-129.7	66.6-70.5	980		5-2	640	
	95.6-61	195.9-97.9	38-40.2	740		2.9-1.1		
EZG250	421.2-275.6	400-200	84-90.1	980	78.2-63.2	7.3-3.3	740	4500
	181.4-118.7	302-151	47.9-51.4	740		4.2-1.9		
	356.7-233.2	378.4-189.2	75.2-80.6	980		7.1-3	700	
	153.7-100.5	285.7-142.9	42.9-46	740		4-1.7		
	278.8-137.9	348.6-131.6	63.8-68.5	980		5.5-2.5	645	
	120.1-59.4	263.2-99.4	36.4-39.1	740		3.1-1.4		
EZG300	542.8-357.6	533.3-266.7	84.3-93.4	980	81.2-68.3	6.9-3.5	760	5500
	233.9-154	402.7-201.3	48.1-53.3	740		3.9-2		
	429.4-282.9	493.3-246.7	72.1-79.9	980		5.9-3	703	
	184.8-116.4	372.5-177.9	41.1-45.6	740		3.4-1.7		
	333.3-219.7	453.3-226.7	60.9-67.5	980		5-2.5	646	
	143.4-94.6	342.3-171.2	34.5-38.5	740		2.9-1.4		

## ❖ Application

Series EZG slurry pumps are widely used in mining, coal washing, power plant, metallurgy, petrochemical, building material, dredging, and other industrial fields, etc.

### Typical Application:

- Iron Ore Dressing Plant
- Copper Concentration Plant
- Gold Mine Concentration Plant
- Molybdenum Concentration Plant
- Potash Fertilizer Plant
- Other Mineral Processing Plants
- Alumina Industry
- Coal Washery
- Power Plant
- Sand Excavation
- Building Material Industry
- Chemical Industry
- Other industries



*65EZG in African Copper Concentration Plant*



*100EZG in Chinese Coal Washery*



*100EZG in Iron Beneficiation in South America*

**Headquarter:**

Add: No.368, Xinshi North Road, Shijiazhuang, Hebei, China 050091.

**Beijing Branch:**

Add: No.78, East 4th Ring Middle Road, Beijing, China 100124.

Tel: +86-10-59626498

Fax: +86-10-59626499

For inquiries, please send your emails to [sales@excellencepump.com](mailto:sales@excellencepump.com)

For customer service, please send your emails to [service@excellencepump.com](mailto:service@excellencepump.com)